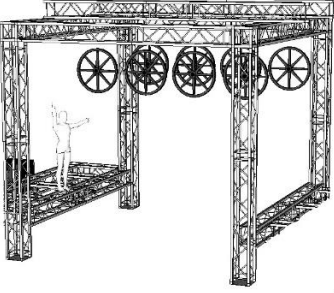


Obstacles List

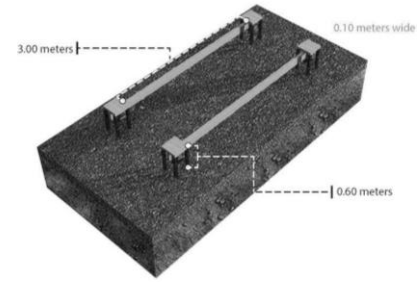
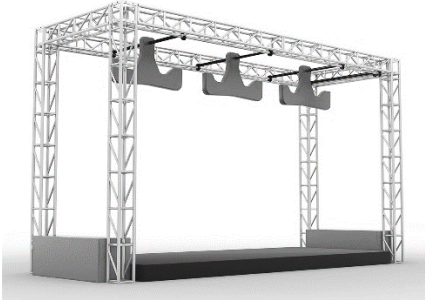
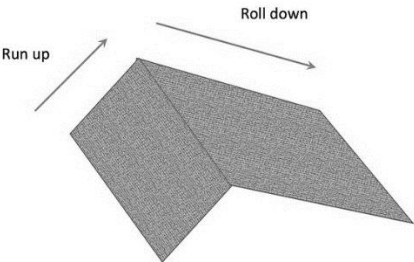
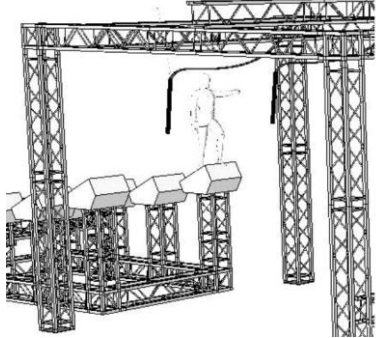
New 5th Discipline Test, Lignano (ITA) – 9/10 Sept 2022

TYPES OF OBSTACLES THAT MAY BE USED

1	Rigs with rings	 A 3D wireframe diagram of a rectangular obstacle structure. It features a flat base and a vertical frame. Several rings are suspended from the top horizontal bars of the frame.
2	1.5m wall (over)	 A 3D diagram of a rectangular obstacle with a flat top surface. Two vertical panels are attached to the top surface, leaning back. A dashed line indicates the height of the panels. A dimension line at the bottom shows two lanes, each 3.0 meters wide.
3	1.5m wall (under)	 A 3D diagram of a rectangular obstacle with a flat top surface. Two vertical panels are attached to the top surface, leaning back. A dashed line indicates the height of the panels. A dimension line at the bottom shows two lanes, each 3.0 meters wide.
4	Through bars	 A 2D technical drawing of a rectangular obstacle. It shows a truss structure with a central panel labeled 'BRANDING'. Two horizontal bars, labeled 'Scaffold Bars', are positioned above the branding panel. The entire structure is supported by two vertical posts.
5	Rigs with wheels	 A 3D wireframe diagram of a rectangular obstacle structure. It has a flat base and a vertical frame. Four large wheels are mounted on a horizontal bar that spans across the top of the frame. A small human figure is shown on the base to provide scale.

Obstacles List

New 5th Discipline Test, Lignano (ITA) – 9/10 Sept 2022

6	Balance Beam	
7	Wing Nuts	
8	Cargo net run up and roll down	
9	Tarzan swing	
10	Quarter pipe wall	